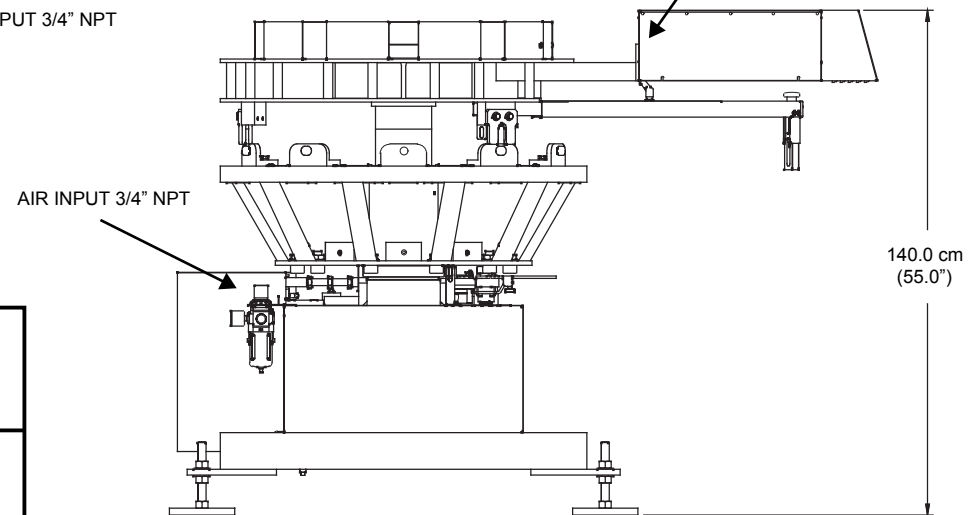
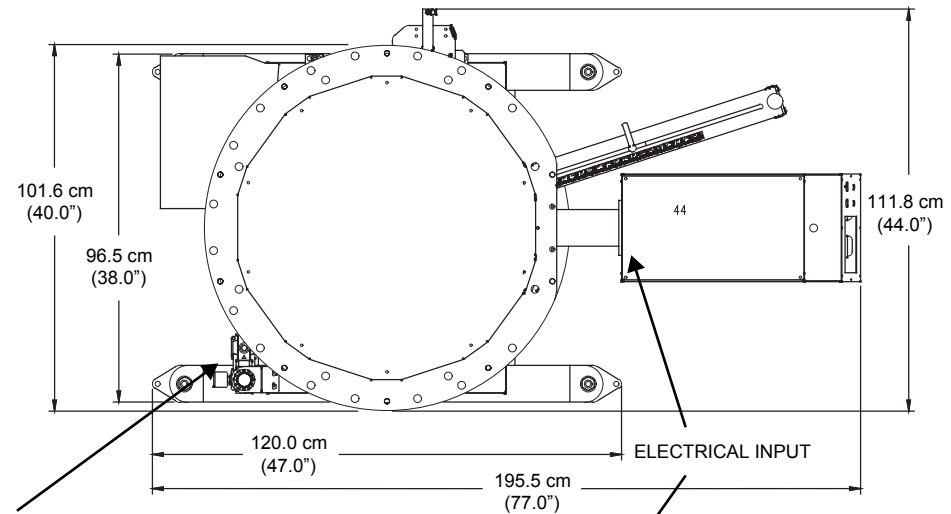
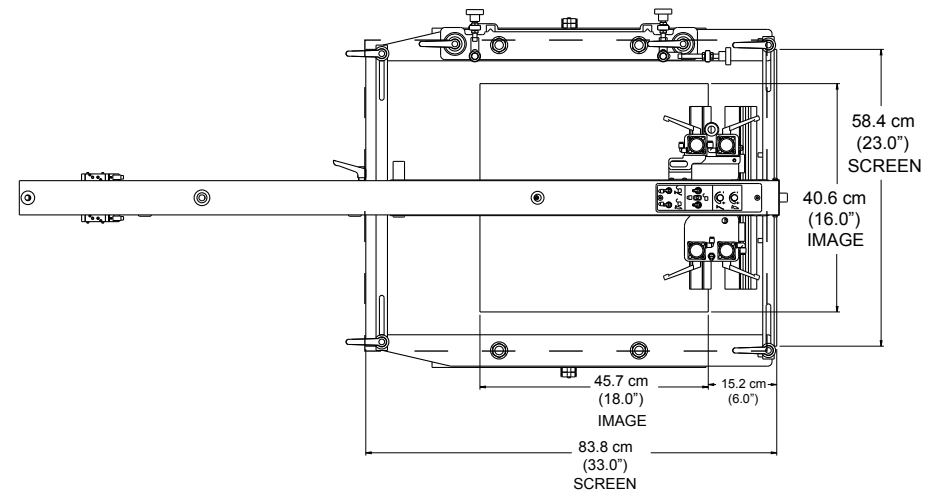


DIAMONDBACK S 10-8



Air @ 6,9 Bar (100 psi)	765 l/min (27 cfm)
Electrical Requirements	208/230 V, 1ph, 5 A, 50/60 Hz, 0.46 kW 110 V, 1 ph, 10 A, 50/60 Hz, 0.46 kW