

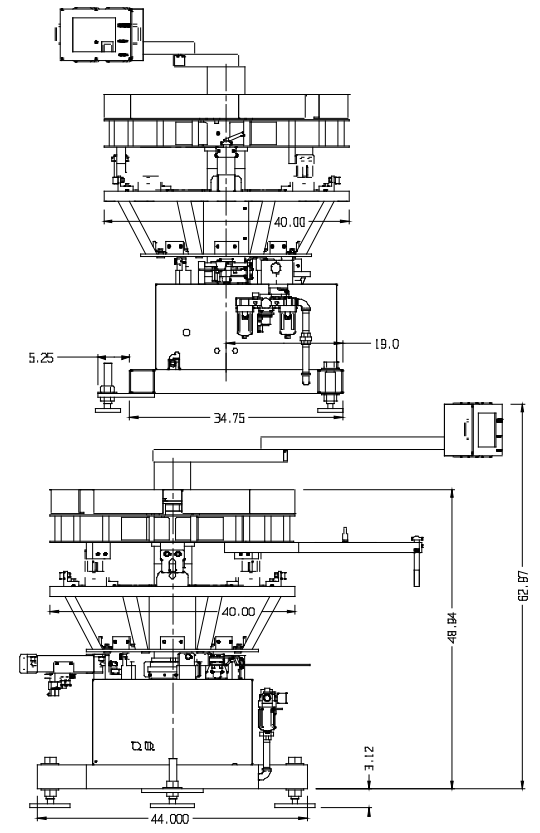


23" X 33" OD FRAME
DIAMONDBACK 16" X 22" PALLET 
16" x 18" MAX PRINT  *

* MUST USE A 18" X 22" PALLET TO DO MAX PRINT AREA.

8 COLOR SHIPPING DIMENSIONS
SHIPPING WEIGHT 3,650 lbs. (1,655kg)



| | |
|--------------------|--|
| AIR: | 24scfm @100psi |
| ELECTRICAL: | 110v, 1ph 1.8A, 50/60Hz, 1kW 208/230v, 1ph 1A, 50/60Hz, 1kW |

STANDARD FEATURES:
Pneumatic Index System, Pneumatic Print Heads, Screen Micro Registration, Central Off-Contact, Multiple Print Mode, Adjustable Rear Stroke, Adjustable Side Screen Holders, Revolver Program, Pallet Positioning Arm, Rubber Covered Composite Pallets.

See R-Series / Diamondback documentation for detailed "A" and "B" package head features.

