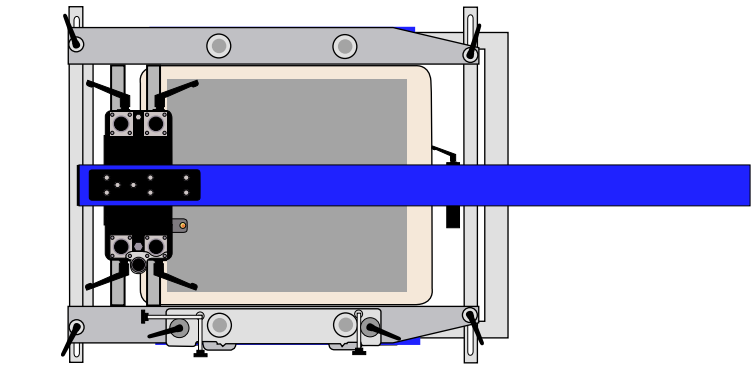


NOTE: 3' (1m) WORKING AREA SHOULD BE LEFT AROUND THE PERIMETER OF THE PRESS.

12'-2 1/2" (372cm)

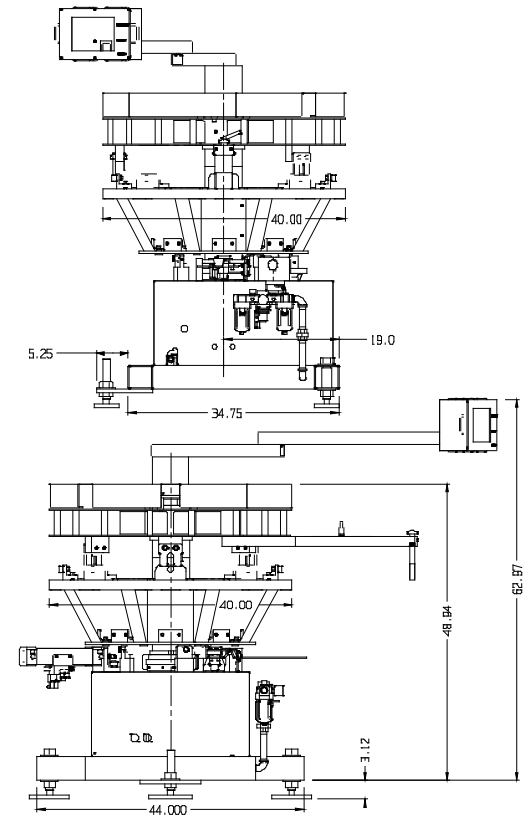
AIR SUPPLY  
3/4 NPT

ELECTRIC SUPPLY  
ON TOP



23" X 33" (58 X 84cm) OD FRAME  
 DIAMONDBACK 16" X 22" PALLET  
 16" x 18" (41 X 46cm) MAX PRINT \*  
 \* MUST USE A 18" X 22" PALLET TO DO MAX PRINT AREA.

8 COLOR SHIPPING DIMENSIONS  
 SHIPPING WEIGHT 3,650 lbs. (1,655kg)



**STANDARD FEATURES:**

Pneumatic Index System, Pneumatic Print Heads, Screen Micro Registration, Central Off-Contact, Multiple Print Mode, Adjustable Rear Stroke, Adjustable Side Screen Holders, Revolver Program, Pallet Positioning Arm, Rubber Covered Composite Pallets, Print Start / Print finish Mode, Front or Rear Carriage stop position, Countdown Program.

See R-Series / Diamondback documentation for detailed "A" and "B" package head features.

<b>AIR:</b>	24scfm @100psi
<b>ELECTRICAL:</b>	110v, 1ph 1.8A, 50/60Hz, 1kW 208/230v, 1ph 1A, 50/60Hz, 1kW

